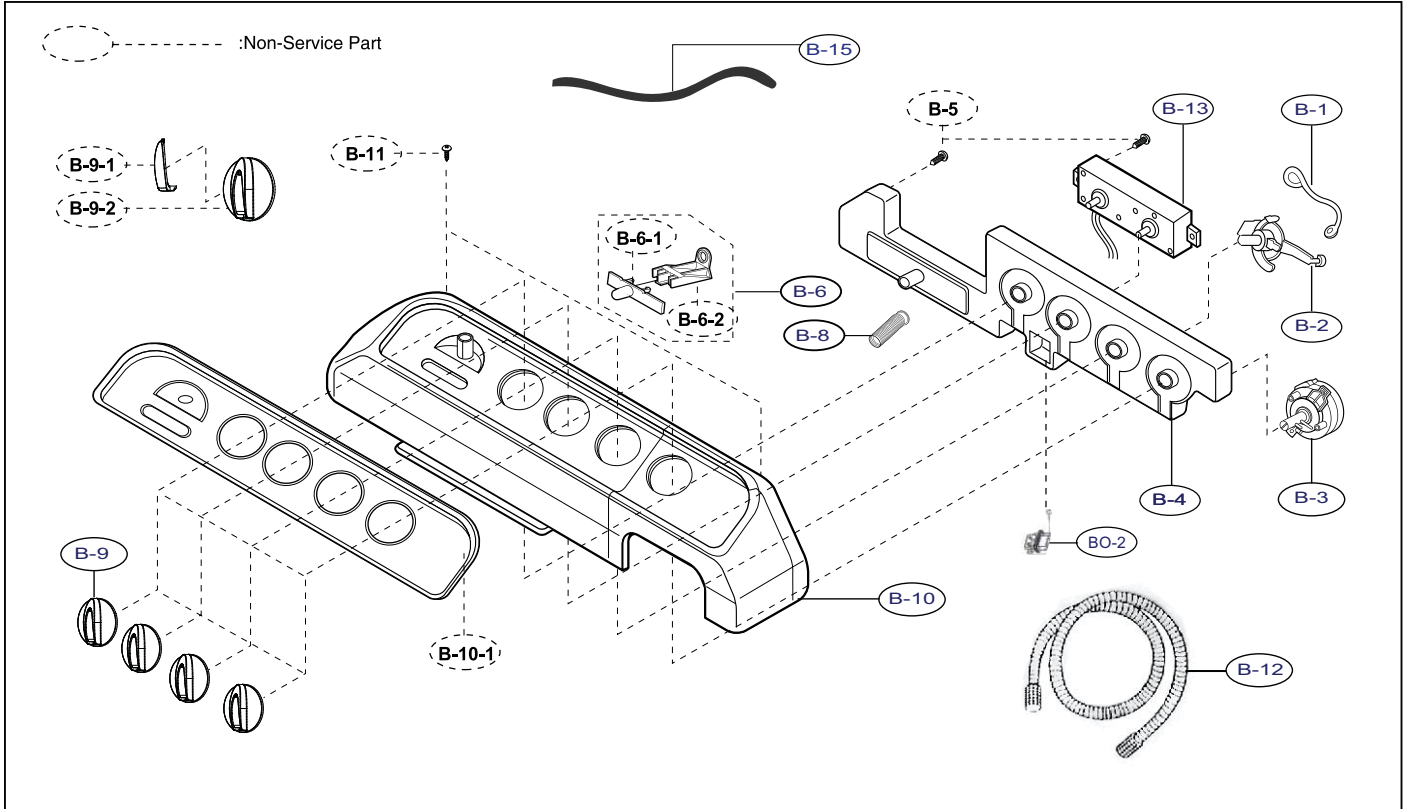
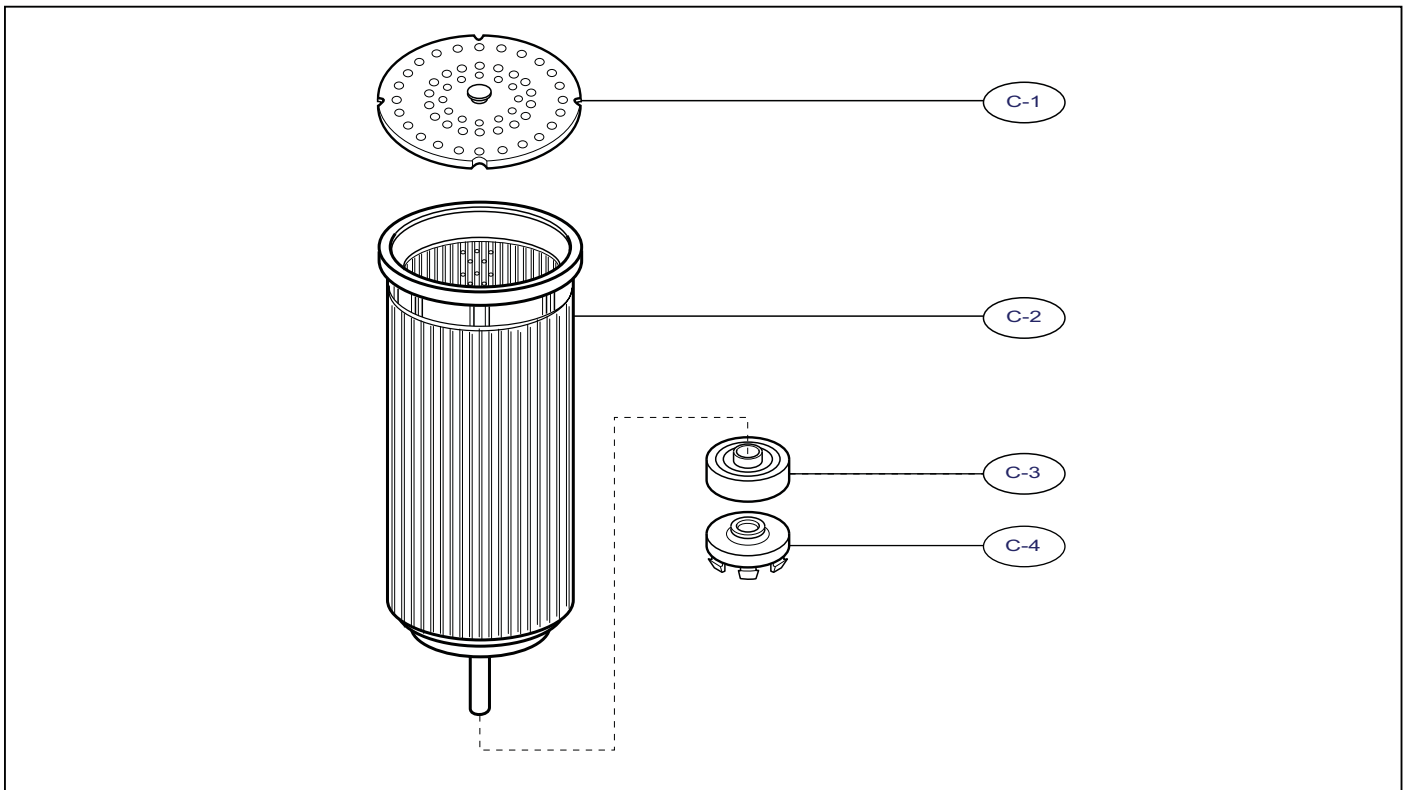


9. EXPLODED VIEWS AND REPLACEMENT PARTS LIST

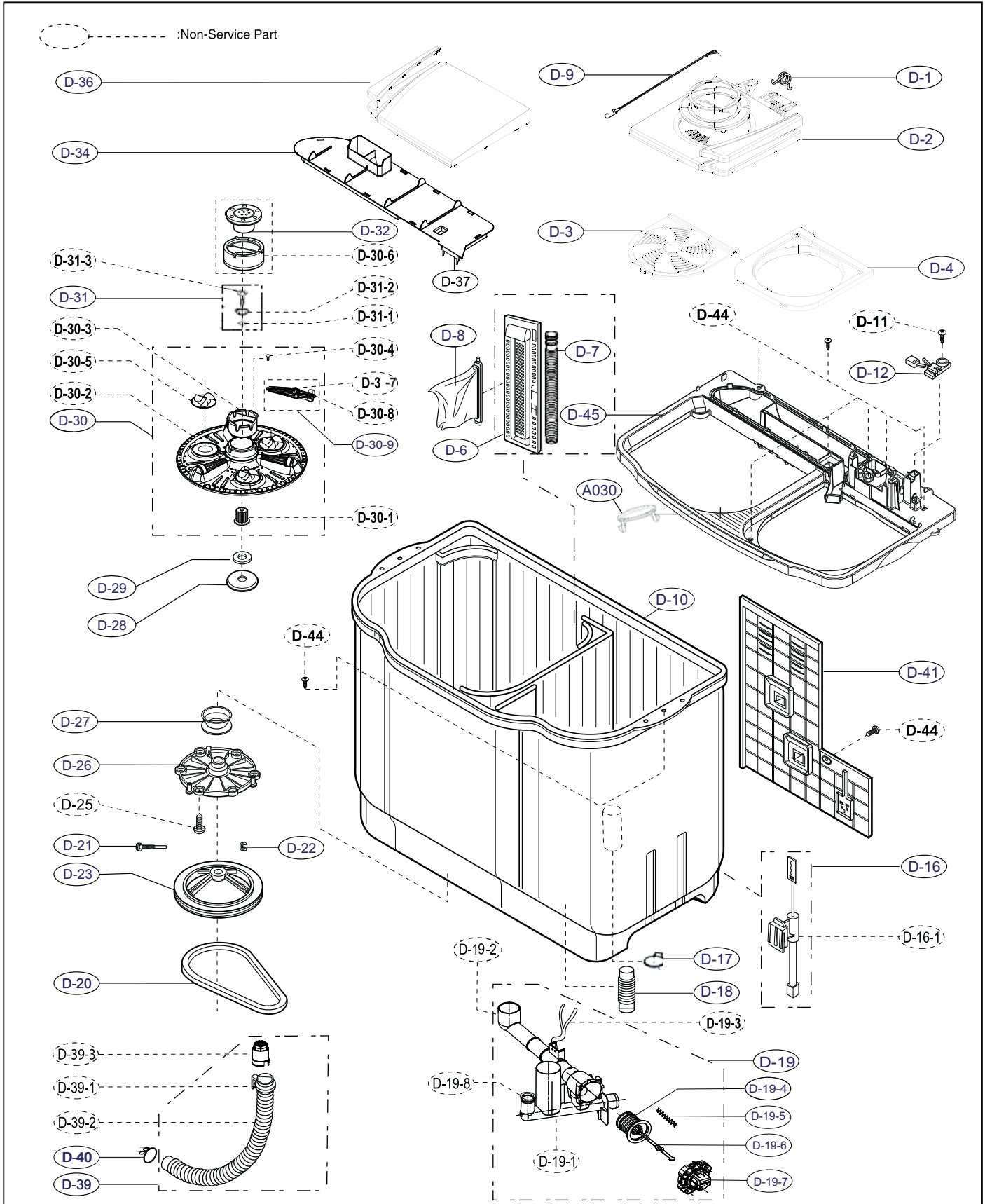
B. EXPLODED VIEWS OF PANEL PARTS



C. EXPLODED VIEWS OF SPIN DRYER BASKET PARTS

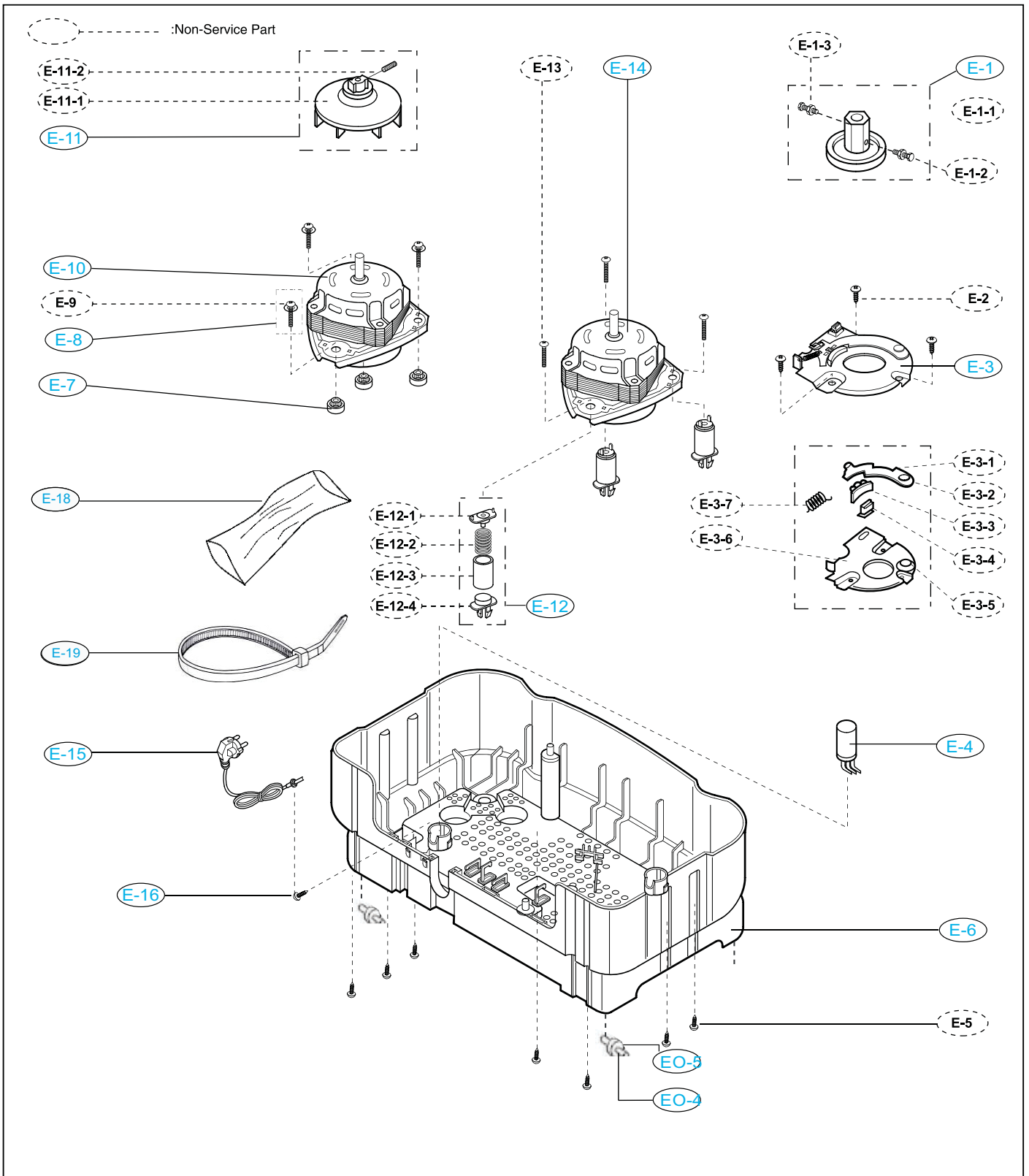


D. EXPLODED VIEWS OF TUB PARTS



Note :LG Electronics will not stop to develop our technology so part of washing machine please update in GCSC or person in charge of SVC field.

E. EXPLODED VIEWS OF MOTOR PARTS



Note :LG Electronics will not stop to develop our technology so part of washing machine please update in GCSC or person in charge of SVCfeld.